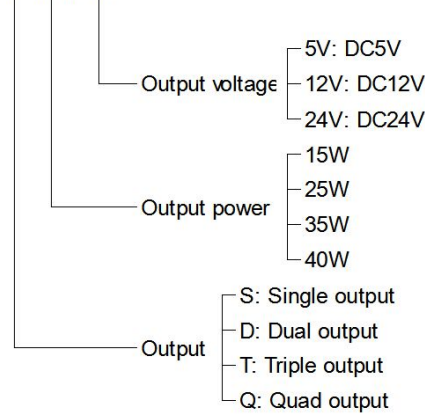


**Description**
**S-15W-12V**

**S-15W / 25W**

**S-35W / 40W**

**D-30W**

**T-30W**

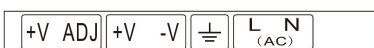
**Specification(Common)**

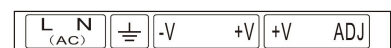
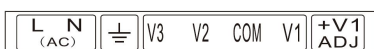
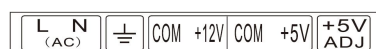
Input voltage range	AC220V 50/60Hz, fluctuation range is AC175~264V, DC240~370V
Leakage current	<0.5mA/240VAC
Impact current	Cold start current: 36A/230V
Overload protection	105%~150%, Type: Current limited, Reset: Automatic
Temperature coefficient	±0.03mA/%°C(0~50°C)
Start / Up / Keep time	200ms, 100ms, 30ms
Shock resistance	10~500Hz, 2G, 10min
Pressure resistance	Input and output: 1.5KVAC, Input and cover: 1.5KVAC, Output and cover: 0.5KVAC
Isolation resistance	500VDC/100mΩ
Work temperature and humidity	-10°C~+60°C, 10%~90%RH
Storage temperature and humidity	-20°C~+85°C, 10%~95%RH
Safety standards	UL1012
EMC	Some of 15J of FCC, Class B

**Specification(Different)**

	S-15W-5V	S-15W-12V	S-15W-24V	S-25W-5V	S-25W-12V	S-25W-24V	S-35W-5V	S-35W-12V	S-35W-24V
DC output	5V	12V	24V	5V	12V	24V	5V	12V	24V
Tolerance of output	±2%	±1%	±1%	±2%	±1%	±1%	±2%	±1%	±1%
Rated current	3A	1.3A	0.7A	5A	2.1A	1.1A	7A	3A	1.5A
The range of current	0-3A	0-1.3A	0-0.7A	0-5A	0-2.1A	0-1.1A	0-7A	0-3A	0-1.5A
mVp-p	50mVp-p	50mVp-p	100mVp-p	50mVp-p	100mVp-p	100mVp-p	75mVp-p	100mVp-p	100mVp-p
Stability of the line	±0.5%	±0.5%	±0.5%	±0.5%	±0.5%	±0.5%	±0.5%	±0.5%	±0.5%
Stability of the load	±1%	±0.5%	±0.5%	±1%	±0.5%	±0.5%	±1%	±0.5%	±0.5%
Power of DC output	15W	15.6W	16.8W	25W	25.2W	26.4W	35W	36W	36W
Efficiency	65%	68%	72%	65%	76%	80%	70%	76%	78%
Output adjustment range	+10%,-5%	±10%	±10%	+10%,-5%	±10%	±10%	+10%,-5%	±10%	±10%

	D-30A		D-30B		T-30A			T-30B		
	CH1	CH2	CH1	CH2	CH1	CH2	CH3	CH1	CH2	CH3
DC output	5V	12V	5V	24V	5V	12V	-5V	5V	12V	-5V
Tolerance of output	±2%	±3, -7%	±2%	±3, -5%	±2%	+2, -6%	+2, -10%	±2%	+2, -10%	±6%
Rated current	4A	1A	2.2A	1A	3A	1A	0.5A	3A	1A	0.5A
The range of current	0.5-4A	0.1-1A	0.5-2.2A	0.1-1A	0.5-3A	0.1-1A	0.1-0.5A	0.5-3A	0.1-1A	0.1-0.5A
mVp-p	50mVp-p	100mVp-p	50mVp-p	100mVp-p	50mVp-p	100mVp-p	50mVp-p	50mVp-p	100mVp-p	100mVp-p
Stability of the line	±0.5%	±1%	±0.5%	±1%	±0.5%	±1%	±1%	±0.5%	±1%	±1%
Stability of the load	±0.5%	±4%	±0.5%	±4%	±0.5%	±5%	±5%	±0.5%	±0.5%	±5%
Power of DC output	32W		35W		30W			33W		
Efficiency	72%		74%		70%			72%		
Output adjustment range	CH1: +10%, -5%		CH1: +10%, -5%		CH1: +10%, -5%			CH1: +10%, -5%		

**Wiring**
**S-15W, S-25W**

**D-30B**

**S-35W, S-40W**

**T-30W**

**D-30A**


L: Live line of AC input

N: Zero line of AC input

+V: Anode of DC output

-V: Cathode of DC output

V1: Anode of main circuit

 V2: Anode of 2<sup>nd</sup> circuit

 V3: Anode of 3<sup>rd</sup> circuit

COM: Common cathode of output

: Voltage adjustment

: Ground connection

: Voltage adjustment of main circuit

**Dimension and Mounting(mm)**

S-15W, S-25W(97mm×97mm×36mm)

S-35W, S-40W, D-30, T-30(129mm×98mm×38mm)

