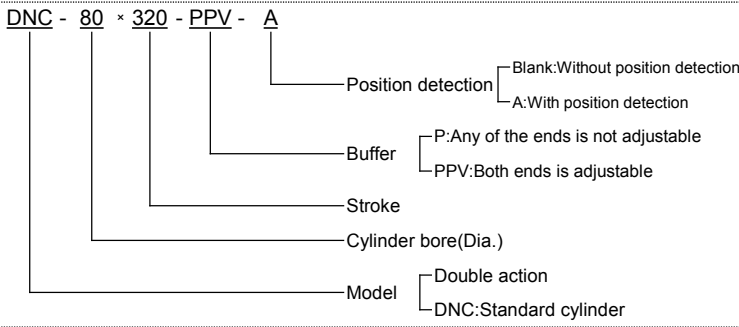


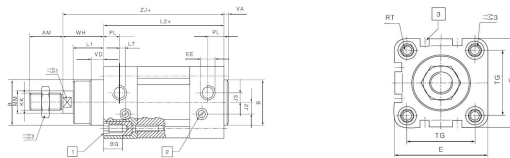
## Model and Description



## Specification

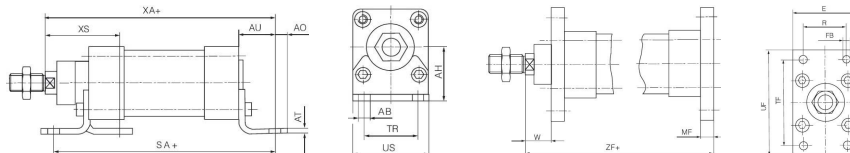
Bore Dia. (mm)	32	40	50	63	80	100	125
Stroke (mm) (Basic)	10...2,000						
Port size Rc(PT)	PT1/8	PT1/4	PT1/4	PT3/8	PT3/8	PT1/2	PT1/2
Piston rod thread (Basic)	M10×1.25	M12×1.25	M16×1.5	M16×1.5	M20×1.5	M20×1.5	M27×2
Buffer	P: Any of the ends is not adjustable PPV: Both ends is adjustable						
Buffer :PPV type (mm)	20	20	22	22	32	32	42
Position detection	Use proximity detector						
Mounting mode	Internal thread Mounting with accessory						
Mounting position	Optional						
Symbol	DNC						

## Dimensions (mm)

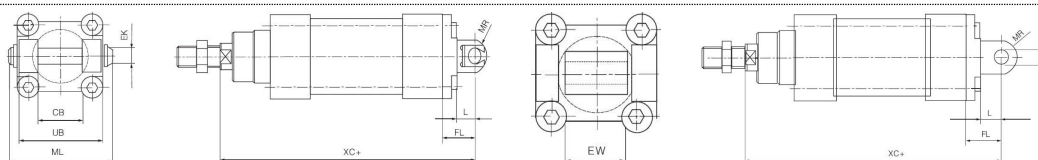


Hexagonal thread, internal thread, for accessory mounting Adjusting screw, for end adjustable buffer Sensor groove, for sensor SME/SMT-8 mounting +: Plus the stroke length

Φ (mm)	AM	BΦd11	BG	E	EE	J2	J3	KK	L1	L2	L7	MMΦ8	PL	RT	TG	VA	VD	WH	ZJ	1	2	3
32	22	30	16	45	PT1/8	6	5.2	M10×1.25	18	94	3.3	12	15.7	M6	32.5	4	10	26	120	10	16	6
40	24	35	16	54	PT1/4	8	6	M12×1.25	21.5	105	3.6	16	14	M6	38	4	10.5	30	135	13	18	6
50	32	40	17	64	PT1/4	10.4	8.5	M16×1.5	28	106	5.1	20	14	M8	46.5	4	11.5	37	143	17	24	8
63	32	45	17	75	PT3/8	12.4	10	M16×1.5	28.5	121	6.6	20	17	M8	56.5	4	15	37	158	17	24	8
80	40	45	17	93	PT3/8	12.5	8	M20×1.5	34.7	128	10.5	25	16.4	M10	72	4	15.7	46	174	22	30	6
100	40	55	17	110	PT1/2	12	10	M20×1.5	38.2	138	8	25	18.8	M10	89	4	19.2	51	189	22	30	6
125	54	60	22	134	PT1/2	13	8	M27×2	46	160	14	32	18	M12	110	4	20.5	65	225	27	36	8



Bore Dia. Φ (mm)	ABΦ	AH	AO	AT	AU	SA		TR	US	XA		XS	E	FB	MF	R	TF	UF	W	ZF	
						Basic cylinder	KP			Basic cylinder	KP									Basic cylinder	KP
30	7	32	6.5	5	24	142	187	32	45	144	189	45	45	7	10	32	64	80	16	130	175
40	10	36	9	5	28	161	214	36	54	163	216	53	54	9	10	36	72	90	20	145	198
50	10	45	10.5	6	32	170	237	45	64	175	242	62	65	9	12	45	90	110	25	155	222
63	10	50	12.5	6	32	185	261	50	75	190	266	63	75	9	12	50	100	120	25	170	246
80	12	63	15	6	41	210	305	63	93	215	310	81	93	12	16	63	126	150	30	190	285
100	14.5	71	17.5	6	41	220	318	75	110	230	328	86	110	14	16	75	150	175	35	205	303
125	16.5	90	22	8	45	250	375	90	131	270	395	102	132	16	20	90	180	210	45	245	370



Bore Dia. Φ (mm)	CB	EΚΦ	FL ±0.2	L	ML	MR	UB h14	XC		CDΦ	EW h14
								Basic cylinder	KP		
30	26	10	22	13	55	10	45	142	187	10	26
40	28	12	25	16	63	12	52	160	213	12	28
50	32	12	27	16	71	12	60	170	237	12	32
63	40	16	32	21	83	16	70	190	266	16	40
80	50	16	36	22	103	16	90	210	305	16	50
100	60	20	41	27	127	20	110	230	328	20	60
125	70	25	50	30	148	25	130	275	400	25	70